

Product: **Coaxial Circulator**

Part Number: LHX-3.4/4.9-S



Specification				
No.	Parameter	25℃	-30~+85℃	Units
1	Frequency range	3.4-4.9		GHz
2	Insertion Loss	≤0.5	≤0.6	dB
3	Isolation	≥20	≥19	dB
4	VSWR	≤1.25	≤1.3	dB
5	Impedance	50		Ω
6	Forward Power	250W/PK ;25W/AV		
7	Operating Temperature Range	-30~+75℃		
8	Connector	SMA-F		
9	Direction	1→2→3 clockwise		

Mechanical Specifications	
Housing	Alloy
Connector	Gold plated brass
Contact:	copper
Rohs	compliant
Weight	0.15kg

### Outline Drawing:

All Dimensions in mm

Tolerances : Unnoted tolerances are in class m of GB-T1804-2000

All Connectors: SMA

成都利德尔科技有限公司 ChengDu Leader Microwave Technology Co.,Ltd

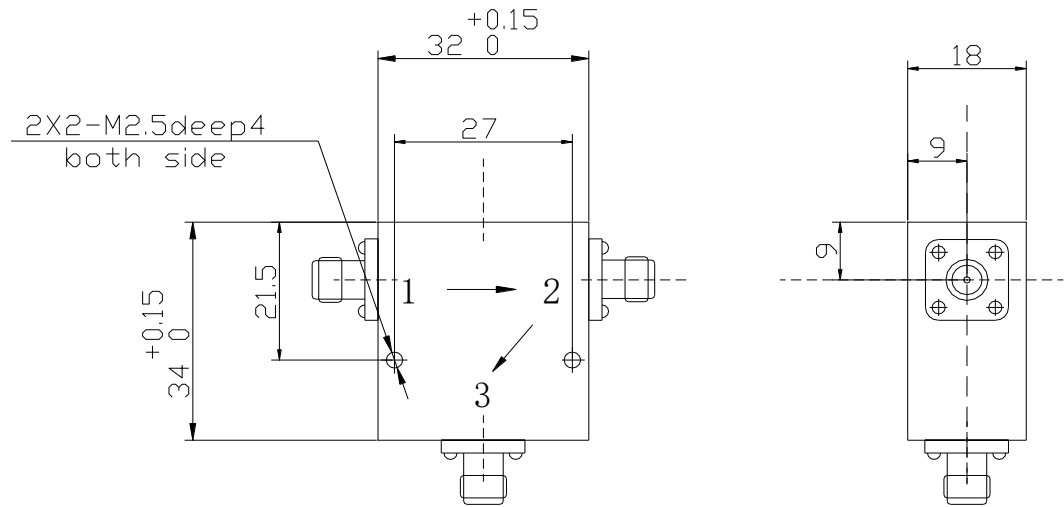
电话: 028-65199117 传真: 028-65199116

<http://www.leadermicrowave.com> [sales@leader-mw.com](mailto:sales@leader-mw.com)

TEL: +86-28-65199117 FAX: +86-28-65199116

Add: 中国 成都市成华区华翰路 89 号 610000

No.89,Huahan Road, chenghua Zone Chengdu, Sichuan China Zip Code:610000



Test data

成都利德尔科技有限公司 ChengDu Leader Microwave Technology Co.,Ltd

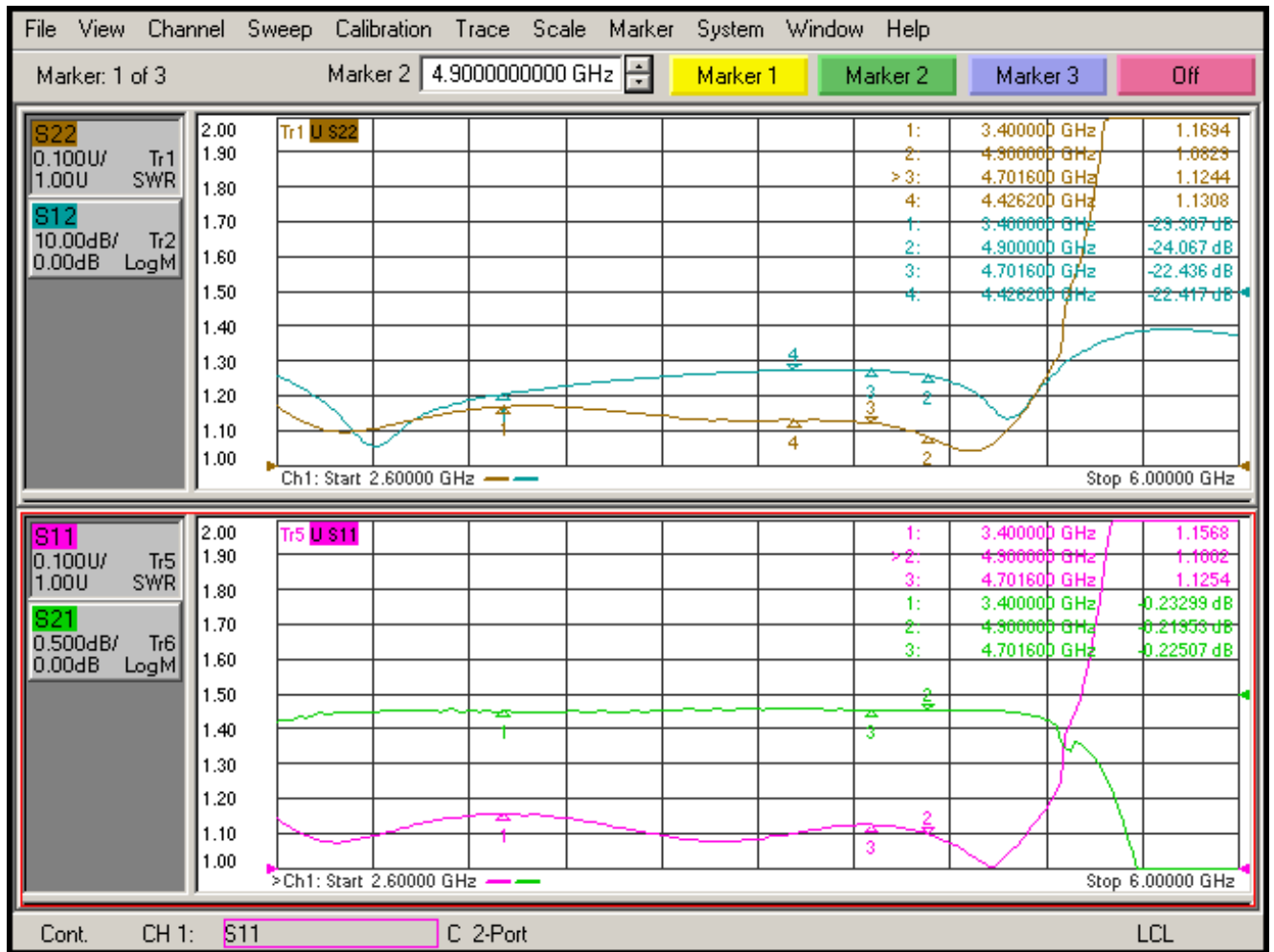
电话: 028-65199117 传真: 028-65199116

http://www.leadermicrowave.com sales@leader-mw.com

TEL: +86-28-65199117 FAX: +86-28-65199116

Add: 中国 成都市成华区华翰路 89 号 610000

No.89,Huahan Road, chenghua Zone Chengdu, Sichuan China Zip Code:610000



成都利德尔科技有限公司 ChengDu Leader Microwave Technology Co.,Ltd

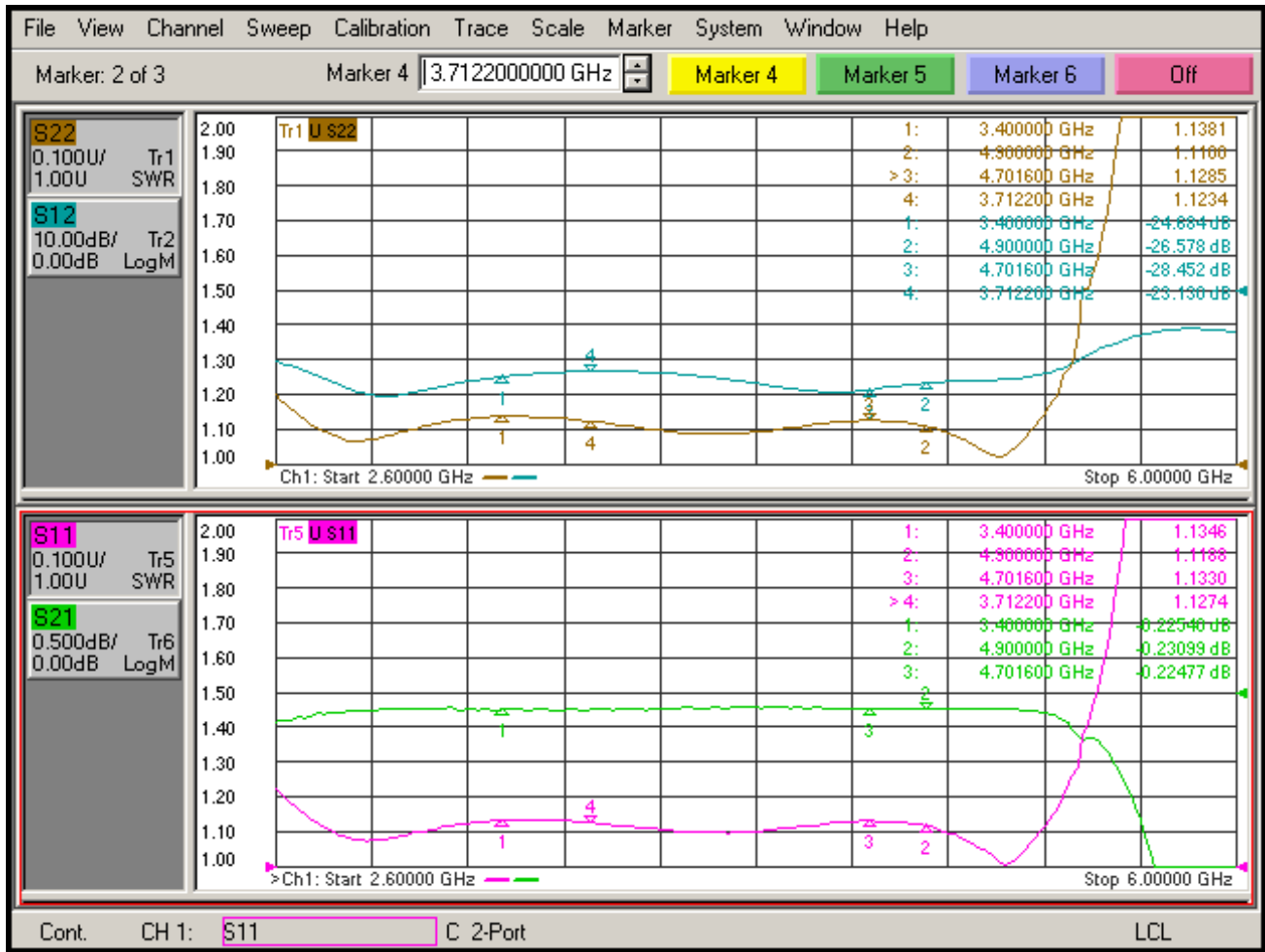
电话: 028-65199117 传真: 028-65199116

<http://www.leadermicrowave.com> [sales@leader-mw.com](mailto:sales@leader-mw.com)

TEL: +86-28-65199117 FAX: +86-28-65199116

Add: 中国 成都市成华区华翰路 89 号 610000

No.89,Huahan Road, chenghua Zone Chengdu, Sichuan China Zip Code:610000



成都利德尔科技有限公司 ChengDu Leader Microwave Technology Co.,Ltd

电话: 028-65199117    传真: 028-65199116

<http://www.leadermicrowave.com>    [sales@leader-mw.com](mailto:sales@leader-mw.com)

TEL: +86-28-65199117    FAX: +86-28-65199116

Add: 中国 成都市成华区华翰路 89 号 610000

No.89,Huahan Road, chenghua Zone Chengdu, Sichuan China    Zip Code:610000